

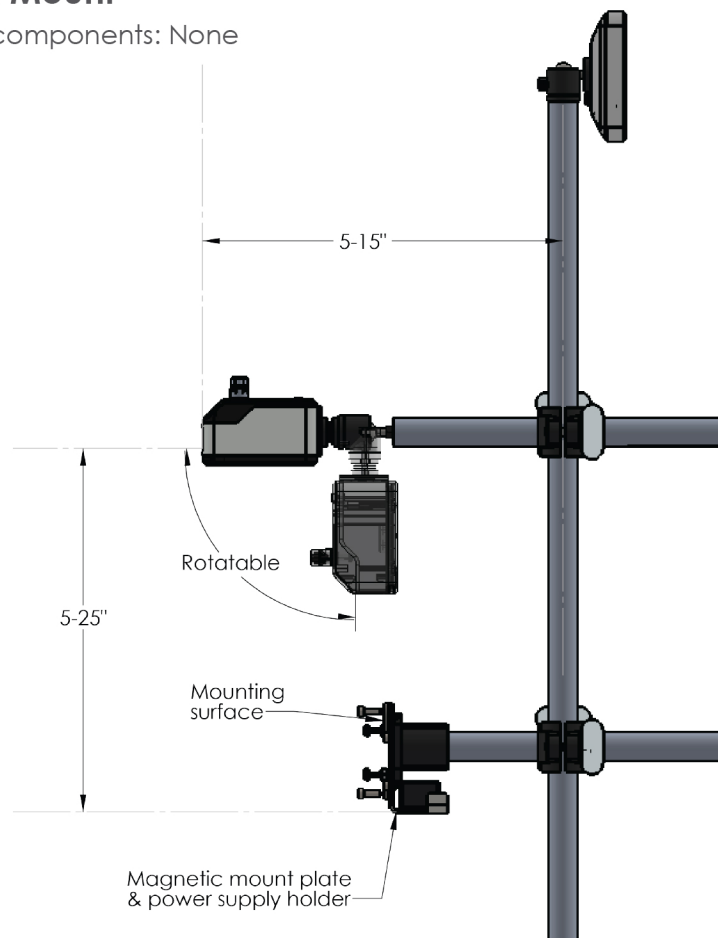
TC12 MOUNTING OPTIONS

The standard Redimark TC12 mount supports the TC12 coder and controller.

The innovative TC12 mounting system is lightweight, easy to install and use. Additional parts enable a nearly infinite number of configurations. This document includes several options, and notes additional parts required to achieve the configuration where needed.

Standard Mount

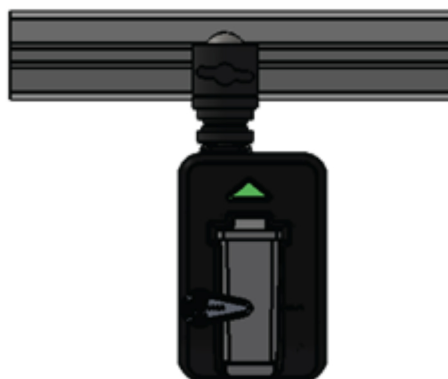
Additional components: None



TC12 MOUNTING OPTIONS

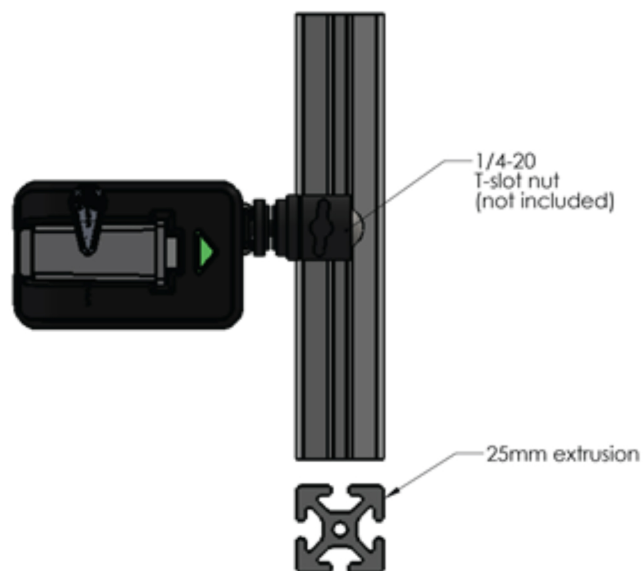
Machine Mount Horizontal

Additional components: None



Machine Mount Vertical

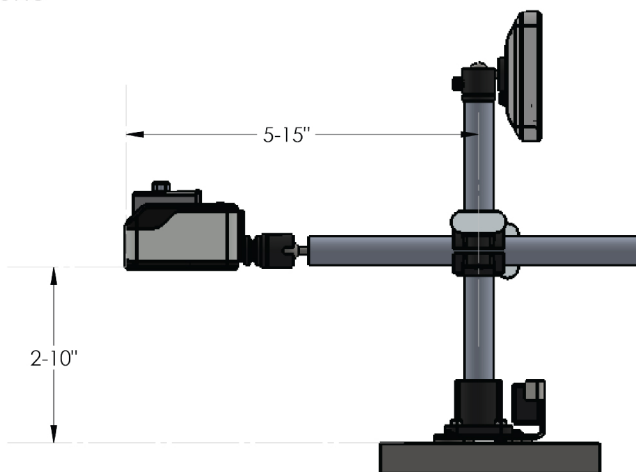
Additional components: None



TC12 MOUNTING OPTIONS

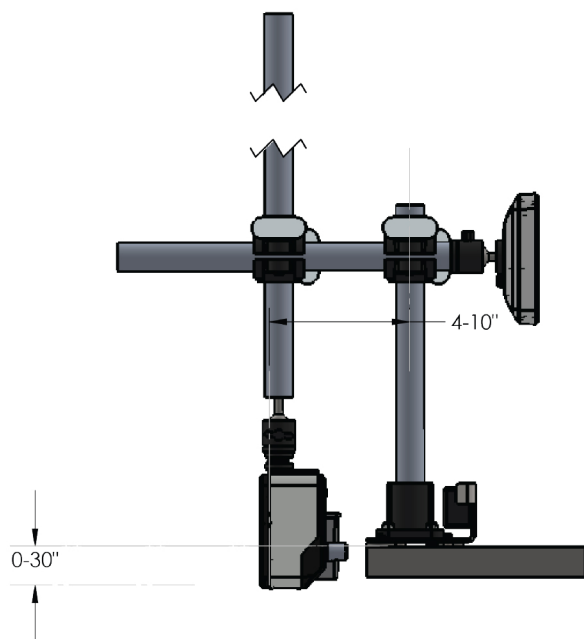
Horizontal Mount

Additional components: None



Below Mount Plane

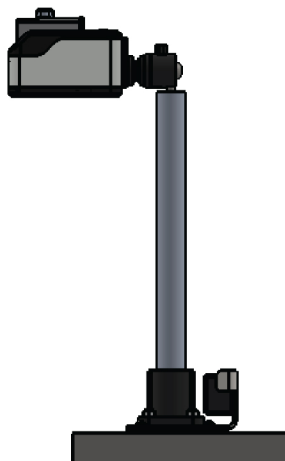
Additional components: None



TC12 MOUNTING OPTIONS

Smallest Footprint

Additional components: None



Separate Display and Printer

Additional components:

- Post Kit (2X 12', 1X 30" tubes) (P.N. 71085635)
- Base Clamp Kit (P.N. 71085633)

